

SERBHA



BLOW DOWN COLLECTION COOLING TANK FOR STEAM BOILERS IN CARBON STEEL

RANGE

from 100 to 1200 liters

WORKING PRESSURE

atmospheric

MODELS

100

300

500

800

1200

DESCRIPTION

Blowdown vessel.

Atmospheric blowdown vessel complete with cooling water system to reduce the boiler waste fluids temperature before the drain into the waste water plant.

Made of steel, vertical tank complete with supporting, externally painted.

It has available many flanged connections for blowdown input and waste water disposal.

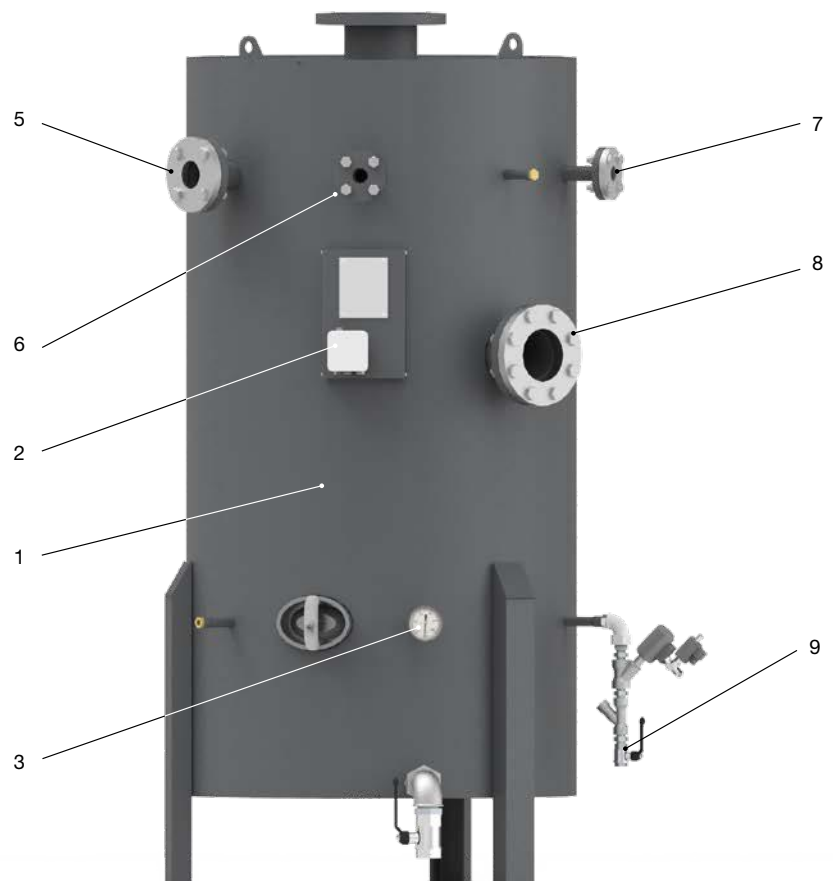
Designed in conformity with PED 2014/68/UE CE Directive.

Standard-production equipment:

- Automatic temperature regulation system
- Cold water inlet connection
- Overflow
- Manual drain valve
- Air vent
- Temperature gauge
- Pressure gauge

MAIN COMPONENTS

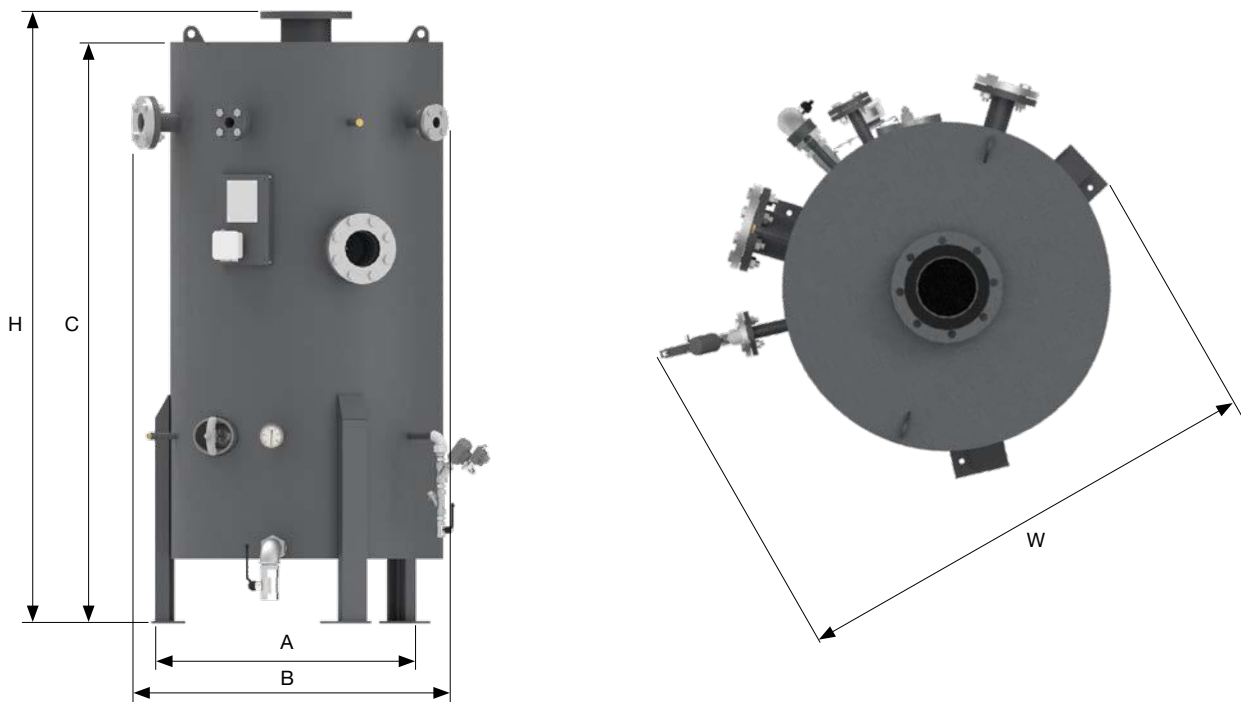
1. Cooling tank
2. Temperature adjustment system
3. Thermometer
4. Cooling water entry group
5. Discharges inlet 1 (Blow Down)
6. Discharges inlet 2 (TDS)
7. Discharges inlet 3
8. Connection for cooled water outlet (overflow)
9. Drain



TECHNICAL DATA

| Model | Water content at level | | Total volume | |
|-------------|------------------------|---|--------------|---|
| | l | l | l | l |
| 100 | 100 | | 200 | |
| 300 | 300 | | 600 | |
| 500 | 500 | | 1000 | |
| 800 | 800 | | 1600 | |
| 1200 | 1200 | | 2400 | |

DIMENSIONS



| Model | W | H | A | B | C | Empty weight |
|-------------|------|------|------|------|------|--------------|
| | mm | mm | mm | mm | mm | kg |
| 100 | 990 | 1105 | 550 | 750 | 1010 | 130 |
| 300 | 1190 | 1505 | 750 | 970 | 1410 | 200 |
| 500 | 1290 | 1895 | 850 | 1050 | 1800 | 280 |
| 800 | 1430 | 2245 | 1000 | 1250 | 2100 | 360 |
| 1200 | 1650 | 2475 | 1150 | 1420 | 2330 | 510 |

FEATURES

The reservoirs of drainage SERBHA are designed in conformity with the Directive PED 2014/68/UEE.

They are suitable for the manually or automatically controlled bottom blow down, to lodge manually controlled valves for the continuous blow down, automatically controlled valves and control systems of the TDS, reservoirs, accessories and equipments for the heat recovery.

The cooling reservoirs SERBHA are built in vertical shape, in 5 models, in carbon steel externally painted.

Operation

The operation of the blow down reservoir is simple and not special operational instructions are necessary.

The reservoir allows the sure expansion of the hot water from high to low pressure, with consequent production of re-evaporated, and the water that it contains is mixed with the cold water from net to lower its temperature before the inlet in the sewage.

The reservoir SERBHA is composed by the following groups:



■ Temperature regulation system, with NTC sensor



■ Overflow water discharge toward the sewage



■ Cooling water inlet group



■ Manual discharge with ball valve



■ Upper connection with ventilation system



■ Control thermometer and manometer