

KIT COMPOSITION

for	BAHR'UNO	BAHR'12
	BAHR'3G	TRYPASS'
with	IMC	IML

KIT HWL std high water level safety sensor

Kit Composition

- Nr. 1 electrode type sensor for high water level safety alarm



for	BAHR'UNO	BAHR'12	TRYPASS'
with	IMC	IML	

KIT HWL "Fail safe", safety maximum water level switch, CE PED certified

Kit Composition

- Nr. 1 safety sensor 1/2" connection
- Nr. 1 sensor electrode in stainless steel
- Nr. 1 Safety regulator with self-diagnosis
- Electrical components



KIT COMPOSITION

KIT TDS 1

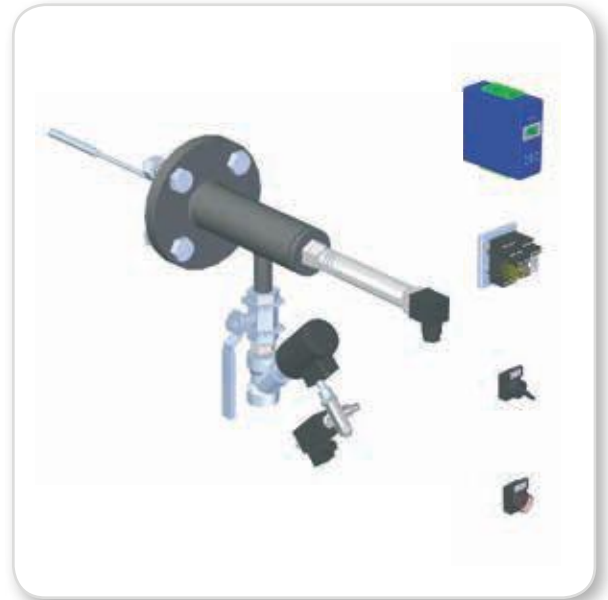
Salinity control group

for	BAHR'UNO	
with	IMC	IML

Kit Composition

Boiler water salinity control group through sensor for electrical water conductivity, made of:

- Conductivity sensor
- Flanged connecting pipe
- Gate valve
- Surface drain valve pneumatically actuated on high salinity/conductivity values
- Gasket
- Electrical kit with selectors and basic electronic regulator



KIT TDS 2

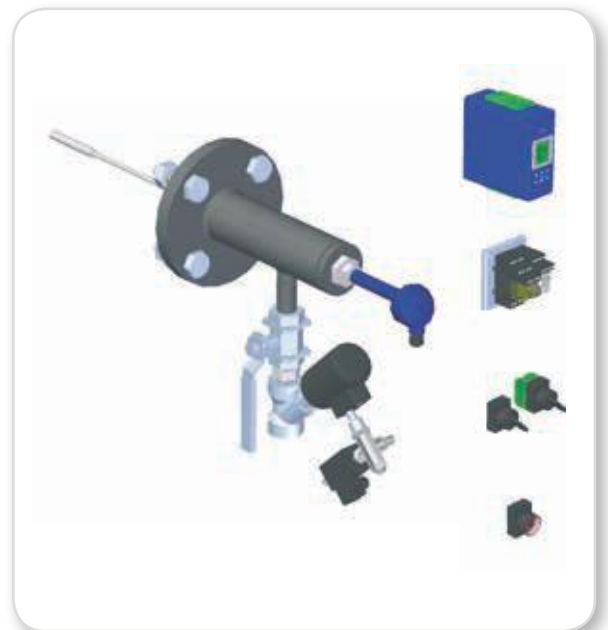
Salinity control group

for	BAHR'UNO	
with	IMC	IML

Kit Composition

Boiler water salinity control group through sensor for electrical water conductivity, made of:

- Self cleaning conductivity sensor with temperature compensation for measurement of TDS
- Flanged connecting pipe
- Gate valve
- Surface drain valve pneumatically actuated on high salinity/conductivity values
- Gasket
- Electrical kit with selectors and advanced electronic regulator



KIT COMPOSITION

KIT TDS 1

Salinity control group

for	BAHR'12	BAHR'3G	TRYPASS'
with	IMC		IML

Kit Composition

Boiler water salinity control group through sensor for electrical water conductivity, made of:

- Conductivity sensor
- Flanged connecting pipe
- Gate valve
- Surface drain valve pneumatically actuated on high salinity/conductivity values
- Gaskets
- Counterflange
- Electrical kit with selectors and basic electronic regulator



KIT TDS 2

Salinity control group

for	BAHR'12	BAHR'3G	TRYPASS'
with	IMC		IML

Kit Composition

Boiler water salinity control group through sensor for electrical water conductivity, made of:

- Self cleaning conductivity sensor with temperature compensation for measurement of TDS
- Flanged connecting pipe
- Gate valve
- Surface drain valve pneumatically actuated on high salinity/conductivity values
- Gaskets
- Counterflange
- Electrical kit with selectors and advanced electronic regulator



KIT COMPOSITION

KIT BLOW DOWN

Boiler bottom automatic drain group

for	BAHR'UNO
with	IMC

Kit composition

Automatic drain group, controlled by timer cycles with desliming function, made of:

- 90° gate valve
- Fast opening pneumatic valve
- Gaskets
- Counterflange
- Electrical kit (for IMC*)

*to be combined with KIT TDS 2

KIT BLOW DOWN

Boiler bottom automatic drain group

for	BAHR'UNO
with	IML

Kit composition

Automatic drain group, controlled by timer cycles with desliming function, made of:

- 90° gate valve
- Fast opening pneumatic valve
- Gaskets
- Counterflange
- Electrical kit (for IML)

KIT BLOW DOWN

Boiler bottom automatic drain group

for	BAHR'12	BAHR'3G	TRYPASS'
with	IMC		

Kit composition

Automatic drain group, controlled by timer cycles with desliming function, made of:

- 90° gate valve
- Fast opening pneumatic valve
- Gaskets
- Counterflange
- Electrical kit (for IMC*)

*to be combined with KIT TDS 2

KIT BLOW DOWN

Boiler bottom automatic drain group

for	BAHR'12	BAHR'3G	TRYPASS'
with	IML		

Kit composition

Automatic drain group, controlled by timer cycles with desliming function, made of:

- 90° gate valve
- Fast opening pneumatic valve
- Gaskets
- Counterflange
- Electrical kit (for IML)



KIT COMPOSITION

for	BAHR'UNO		
with	BASIC	IMC	IML

KIT 2nd PUMP

Kit second boiler water feeding pump

Kit composition

- A 2nd three phase 400V / 50 Hz motor pump
- Basement with vibration-damping feet
- Check valve
- Gate valve
- Fitting pipe



for	BAHR'12	BAHR'3G	TRYPASS'
with	BASIC	IMC	IML

KIT 2nd PUMP

Kit second boiler water feeding pump

Kit composition

- A 2nd three phase 400V / 50 Hz motor pump
- Basement with vibration-damping feet
- Check valve
- Gate valve
- Fitting pipe
- Gaskets
- Counterflange for feeding water connection



KIT COMPOSITION

for	BAHR'UNO	
with	IMC	IML

KIT EC (gas) / KIT EC (light oil)

Economizer kit

Efficiency increase: +3%

Kit composition

- Exchange battery with carbon steel finned pipes
- Modulating valve
- Transformation piping
- Thermometer



for	BAHR'12	BAHR'3G
with	IMC	IML

KIT EC (gas) / KIT EC (light oil)Economizer kit⁽¹⁾

Efficiency increase: +4%

Kit composition

- Exchange battery with carbon steel finned pipes
- Modulating valve (Inverter as per model 2000)
- Transformation piping
- Thermometer

⁽¹⁾ Inverter as per model 2000

for	TRYPASS'	
with	IMC	IML

KIT EC (gas) / KIT EC (light oil)

External economizer kit

Efficiency increase: +5%

Kit composition

- Exchange battery with carbon steel finned pipes
- Kit Inverter (IML) / Kit Modul V (IMC)
- Transformation piping
- Thermometer



KIT COMPOSITION

for	BAHR'UNO
with	IMC

KIT MODUL V

Water level modulation

Kit composition

- Tank and level capacitive sensor
- Solenoid valve for flow rate adjustment
- Connection piping
- Electrical kit for IMC



for	BAHR'UNO
with	IML

KIT MODUL V

Water level modulation

Kit composition

- Tank and level capacitive sensor
- Solenoid valve for flow rate adjustment
- Connection piping



KIT COMPOSITION

for BAHR'12 BAHR'3G TRYPASS'
with IMC

KIT MODUL V

Water level modulation

Kit composition

- Tank and level capacitive sensor
- Pneumatic valve for flow rate adjustment
- Connection piping
- Electrical kit for IMC



for BAHR'12 BAHR'3G TRYPASS'
with IML

KIT MODUL V

Water level modulation

Kit composition

- Tank and level capacitive sensor
- Pneumatic valve for flow rate adjustment
- Connection piping



for BAHR'12 BAHR'3G TRYPASS'
with IML

KIT MODUL INVERTER

Water level modulation

Kit composition

- Additional inverter board panel



KIT COMPOSITION

KIT SAMPLE COOLER

for BAHR'12 BAHR'3G TRYPASS'

Water samples cooling group

Samples of boiler water need to be analysed on a regular basis to check if its values are within correct parameters.

Bad water quality is a major cause of boiler damages.

Sample cooler is necessary to take samples safely cooling them down; it suppresses flash steam also, ensuring accurate samples.

The cooler consists of a stainless steel coil, through which the sample flows, and a stainless steel body, through which cooling water flows in the opposite direction.

Kit composition

The cooler is composed by the following parts:

- Stainless steel cooler
- Sample inlet valve
- Cooling water inlet valve
- Connection piping

for	BAHR'12	TRYPASS'
with	IMC	IML



KIT DRY RUN PROTECTION

Protection against dry operation of the water pump

Kit composition for one pump

- Nr. 1 Pressure switch and fitting
- Electrical kit for IMC/IML

Kit composition for two pumps

- Nr. 2 Pressure switches and fittings
- Electrical kit for IMC/IML

for	BAHR'UNO	BAHR'12
	BAHR'3G	TRYPASS'
with	IMC	IML

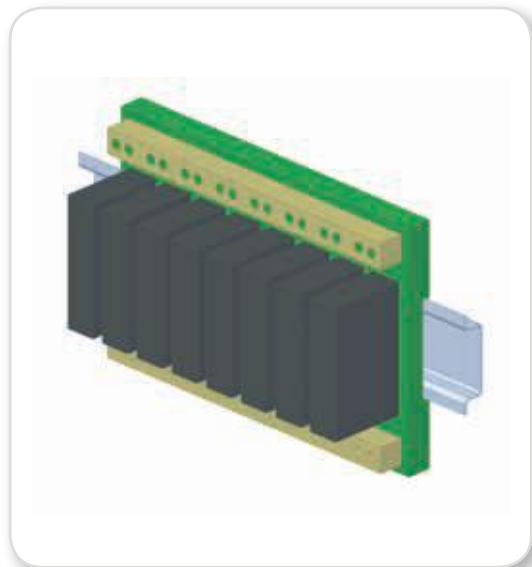


KIT REMOTE ALARM

Alarms remotation

Kit composition

- Relay PCB with wiring harness interface



KIT COMPOSITION

for	BAHR'UNO	BAHR'12
	BAHR'3G	TRYPASS'
with	IMC	
	IML	

KIT SIGNAL TOWER

Kit composition

- Luminous signalling tower



for	BAHR'UNO	BAHR'12
	BAHR'3G	TRYPASS'
with	IML	

KIT REMOTE WEB CONTROL 3G

Kit composition

- Ethernet Router - 4 ports / modem 3G
- Antenna
- Connecting cables for touch-screen and PLC



for	BAHR'UNO	BAHR'12
	BAHR'3G	TRYPASS'
with	IML	

KIT REMOTE WEB CONTROL ADSL

Kit composition

- Ethernet Router - 4 ports / modem ADSL
- Connecting cables for touch-screen and PLC

