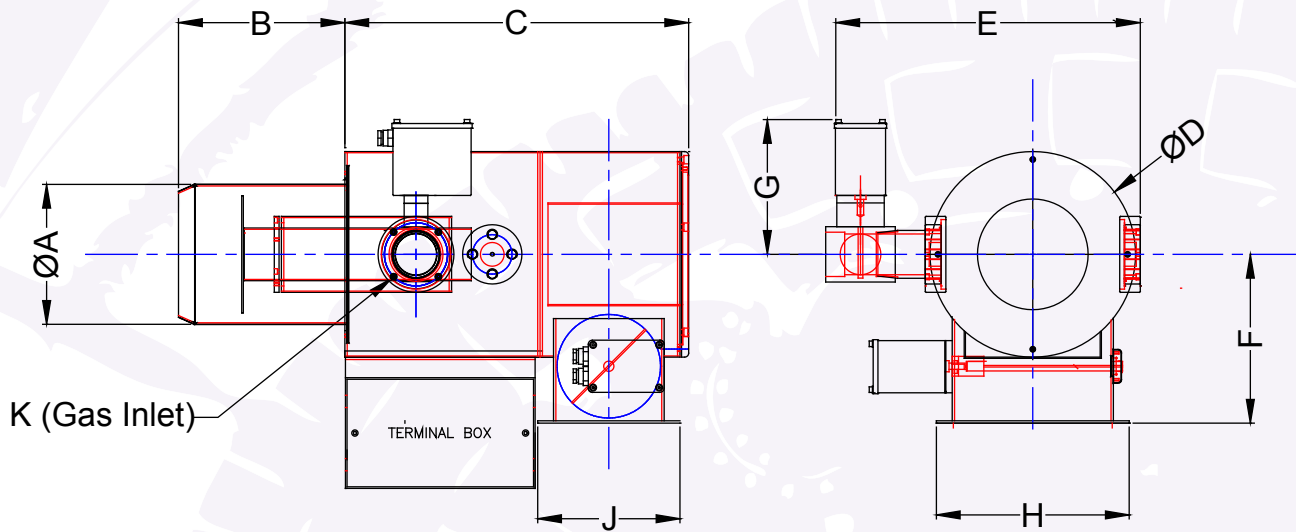




Technical Data

- Burner Dimensions



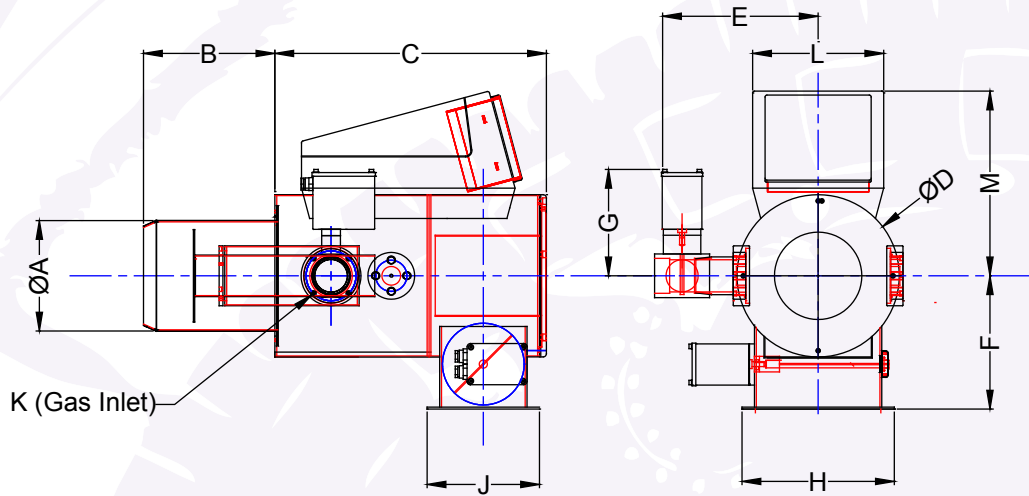
Burner Model Number	A	B	C	D	E	F	G	H	J	K
All dimension in mm and (inches) unless stated otherwise										
9	177 (6.97)	210 (8.27)	435 (17.13)	260 (10.24)	394 (15.51)	212 (8.35)	170 (6.69)	244 (9.60)	180 (7.09)	2" NPT
15	189 (7.44)	210 (8.27)	435 (17.13)	260 (10.24)	394 (15.51)	212 (8.35)	170 (6.69)	244 (9.60)	180 (7.09)	2" NPT
21	259 (10.19)	406 (15.98)	642 (25.28)	385 (15.16)	455 (17.91)	311 (12.24)	170 (6.69)	362 (14.25)	242 (9.53)	2.5" 150lb
36	299 (11.77)	408 (16.06)	642 (25.28)	385 (15.16)	455 (17.91)	311 (12.24)	170 (6.69)	362 (14.25)	242 (9.53)	2.5" 150lb
44	316 (12.44)	408 (16.06)	642 (25.28)	385 (15.16)	455 (17.91)	311 (12.24)	170 (6.69)	362 (14.25)	262 (10.31)	2.5" 150lb
53	285 (11.22)	428 (16.85)	703 (27.68)	480 (18.90)	572 (22.52)	347 (13.66)	240 (9.45)	430 (16.93)	298 (11.73)	3" 150lb
62	386 (15.19)	464 (18.27)	703 (27.68)	480 (18.90)	572 (22.52)	347 (13.66)	240 (9.45)	430 (16.93)	298 (11.73)	3" 150lb
73	412 (16.22)	556 (21.89)	814 (32.05)	630 (24.80)	721 (28.39)	460 (18.11)	253 (9.96)	550 (21.65)	396 (15.59)	4" 150lb
88	456 (17.95)	575 (22.64)	814 (32.05)	630 (24.80)	721 (28.39)	460 (18.11)	253 (9.96)	550 (21.65)	396 (15.59)	4" 150lb
100	490 (19.29)	595 (23.43)	814 (32.05)	630 (24.80)	721 (28.39)	460 (18.11)	253 (9.96)	550 (21.65)	396 (15.59)	4" 150lb
123	540 (21.26)	726 (28.58)	1205 (47.44)	838 (33.00)	942 (37.09)	561 (22.09)	264 (10.39)	721 (28.39)	594 (23.39)	6" 150lb
150	582 (22.91)	766 (30.16)	1205 (47.44)	838 (33.00)	942 (37.09)	561 (22.09)	264 (10.39)	721 (28.39)	594 (23.39)	6" 150lb
175	638 (25.12)	783 (30.83)	1205 (47.44)	838 (33.00)	942 (37.09)	561 (22.09)	264 (10.39)	721 (28.39)	594 (23.39)	6" 150lb
200	699 (27.52)	809 (31.85)	1205 (47.44)	838 (33.00)	942 (37.09)	561 (22.09)	264 (10.39)	721 (28.39)	594 (23.39)	6" 150lb
263	776 (30.55)	986 (38.81)	1608 (63.31)	1055 (41.54)	1187 (46.73)	731 (28.78)	314.8 (12.39)	893 (35.17)	710 (27.95)	8" 150lb
310	864 (34.02)	1035 (40.75)	1608 (63.31)	1055 (41.54)	1187 (46.73)	731 (28.78)	314.8 (12.39)	893 (35.17)	710 (27.95)	8" 150lb



Technical Data

- Burner Dimensions

(with Burner mounted control Pod)



Burner Model Number	Control Pod Model	Burner Rating (Mmbtu)	Burner Rating (Mw)	A	B	C	D	F	G	H	J	K	L	M
All dimension in mm and (inches) unless stated otherwise														
9 (P)	Mini Mk7	3	0.9	177 (6.97)	210 (8.27)	435 (17.13)	260 (10.24)	394 (15.51)	170 (6.69)	244 (9.60)	180 (7.09)	2" NPT	210 (8.27)	296 (11.65)
15 (P)	Mini Mk7	5	1.5	189 (7.44)	210 (8.27)	435 (17.13)	260 (10.24)	394 (15.51)	170 (6.69)	244 (9.60)	180 (7.09)	2" NPT	210 (8.27)	296 (11.65)
21 (P)	Mini Mk7	7	2.1	259 (10.19)	406 (15.98)	642 (25.28)	385 (15.16)	455 (17.91)	170 (6.69)	362 (14.25)	242 (9.53)	2" NPT	210 (8.27)	359 (14.13)
21 (P)	Mk7	7	2.1	259 (10.19)	406 (15.98)	642 (25.28)	385 (15.16)	455 (17.91)	170 (6.69)	362 (14.25)	242 (9.53)	2" NPT	307 (12.09)	431 (16.97)
36 (P)	Mini Mk7	12.3	3.6	299 (11.77)	408 (16.06)	642 (25.28)	385 (15.16)	455 (17.91)	170 (6.69)	362 (14.25)	242 (9.53)	2.5" 150lb	210 (8.27)	359 (14.13)
36 (P)	Mk7	12.3	3.6	299 (11.77)	408 (16.06)	642 (25.28)	385 (15.16)	455 (17.91)	170 (6.69)	362 (14.25)	242 (9.53)	2.5" 150lb	307 (12.09)	431 (16.97)
44 (P)	Mini Mk7	15	4.4	316 (12.44)	408 (16.06)	642 (25.28)	385 (15.16)	455 (17.91)	170 (6.69)	362 (14.25)	262 (10.31)	2.5" 150lb	210 (8.27)	359 (14.13)
44 (P)	Mk7	15	4.4	316 (12.44)	408 (16.06)	642 (25.28)	385 (15.16)	455 (17.91)	170 (6.69)	362 (14.25)	262 (10.31)	2.5" 150lb	307 (12.09)	431 (16.97)
53 (P)	Mini Mk7	18	5.3	361 (14.21)	428 (16.85)	703 (27.68)	480 (18.90)	572 (22.52)	240 (9.45)	430 (16.93)	298 (11.73)	3" 150lb	210 (8.27)	406 (15.98)
53 (P)	Mk7	18	5.3	361 (14.21)	428 (16.85)	703 (27.68)	480 (18.90)	572 (22.52)	240 (9.45)	430 (16.93)	298 (11.73)	3" 150lb	307 (12.09)	479 (18.86)
62 (P)	Mini Mk7	21	6.2	386 (15.19)	464 (18.27)	703 (27.68)	480 (18.90)	572 (22.52)	240 (9.45)	430 (16.93)	298 (11.73)	3" 150lb	210 (8.27)	406 (15.98)
62 (P)	Mk7	21	6.2	386 (15.19)	464 (18.27)	703 (27.68)	480 (18.90)	572 (22.52)	240 (9.45)	430 (16.93)	298 (11.73)	3" 150lb	307 (12.09)	479 (18.86)