

## OUR MISSION:

We provide World-Class  
Environmentally Friendly Solutions  
to meet Combustion and Heating  
Challenges

[www.combustiontechnology.co.za](http://www.combustiontechnology.co.za)

**COMBUSTION**  
TECHNOLOGY

(Est. 1987)

# Market Leader in Oil, Gas Burner & Boiler Installations, Sales & Service in the Southern Hemisphere

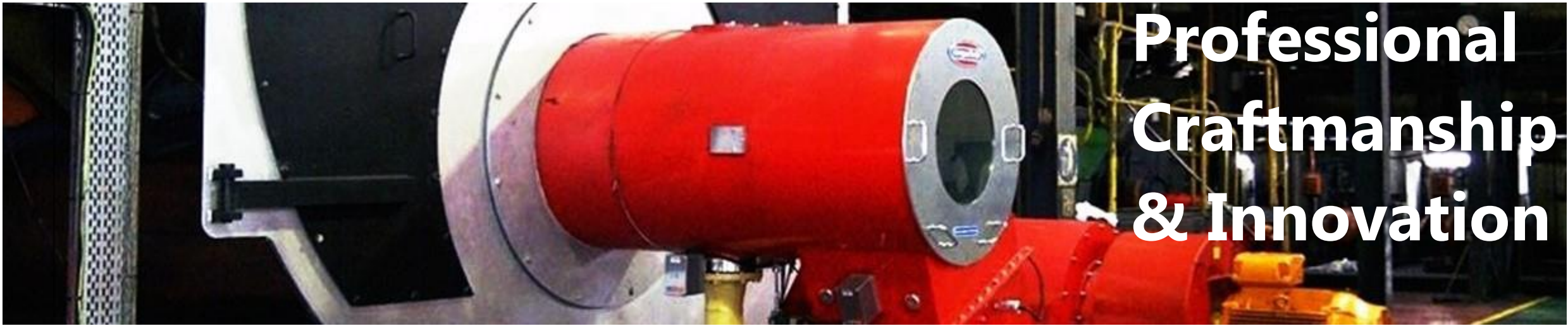
OVER THIRTY YEARS OF EXPERIENCE, THIS FAMILY RUN BUSINESS IS THE LEADER IN PROFESSIONAL CRAFTSMANSHIP & INNOVATION

We pride ourselves in guaranteeing the delivery of modern, highly efficient solutions to the industry and are the exclusive distributors for **Autoflame Combustion Management Systems, Limpsfield Burners, Riello Burners, Unical boilers, I.VAR Industry boilers** and **Cannon Bono Energia boilers & heaters**. With these leading brands as our core products, we provide exceptional standards of product delivery, from sales and installations through to after sales service and spare parts support.

We have our offices in **Cape Town** and **Johannesburg**, with an extensive dealer network throughout **South Africa**. This makes us well-positioned to service our large customer base, with projects running in all provinces and outside of South Africa.

We have been supplying some of our clients exclusively for 31 years! Our world-renowned products and superior technical expertise have been the bedrock of our rapid and consistent growth.

No matter how big or small the task, we are committed to providing you with outstanding service wherever and whenever you need it.



# Professional Craftmanship & Innovation

WE ARE THE EXCLUSIVE SUPPLIER & DISTRIBUTOR IN SOUTH AFRICA & MAURITIUS



**Autoflame** Engineering provides the widest range of Complete Burner & Boiler Controls, Sensors and Remote Management Tools for a wide variety of commercial, industrial and process applications.

- Digital Combustion controls for all makes of boilers and burners
- Emissions Monitoring and mManagement equipment



**Cannon Bono Energia** offer Design and Manufacturing of Large Industrial Boilers for standard and special applications

- Fire Tube Boilers
- Water Tube Boilers
- Superheated Water Boilers
- Diathermic Oil Heaters
- High Temperature Oil Heaters



**I.V.A.R. Industry** produces quality boilers and steam generators of various outputs and construction as well as custom-made on request.

- Steam Boilers
- Hot Water Boilers
- Thermal Oil Boilers



# Professional Craftmanship & Innovation

WE ARE THE EXCLUSIVE SUPPLIER & DISTRIBUTOR IN SOUTH AFRICA & MAURITIUS



**Limpsfield** is the only Burner Manufacturer who guarantees O<sub>2</sub> levels of sub 3% and CO less than 10ppm across the entire Burner firing range. Designed to maximize efficiency and reduce fuel usage and your carbon footprint.



We are the exclusive distributor of the world's largest Burner Manufacturer, for over 32 years, **Riello**.

We offer a full range of Burners, suitable for most popular fuels.

- Oil Burners (Light & Heavy Oil)
- Gas Burners (Natural Gas & LPG)
- Duel Fuel
- Low NOx



**Unical** produce a wide range of boilers for the industrial, professional and domestic industries.

- Hot Water Boilers
- Steam Boilers
- Thermal Oil Burners
- Steam Boiler Accessories (Dearators etc)

# Specialised Services, Spare Parts & Repairs



WE OFFER VARIOUS MAINTENANCE PLAN OPTIONS, SLA'S & FIXED INTERNAL MAINTENANCE

## Our Focus

- Emission Reduction
- Increased Efficiency
- Cost Reduction
- Safety
- Reduced Fuel Consumption
- Meeting Requirements at Peak Operation

## System Overhauls

- Equipment Evaluations
- Free Energy / Emissions Audits
- Project Management
- System Design
- Burner Replacement
- Boiler Replacement
- Touchscreen Control Retrofits

## General Maintenance/Service

- Installations
- Burner Tune-ups
- Safety Interlock Checks
- Trouble Shooting
- Refractory Work
- Boiler Tube Cleaning
- Emergency Breakdown Service
- Complete Boiler House Commissioning
- DA Tanks & Pumps
- Water Level Controls
- Hot Water Replacements
- HVAC Service (commercial & industrial)

# Specialised Services, Spare Parts & Repairs for all makes of Burners



WORLD CLASS, HIGHLY EFFICIENT, LOW NO<sub>x</sub> BOILERS, BURNERS & COMBUSTION CONTROL SYSTEMS

## OTHER PRODUCTS

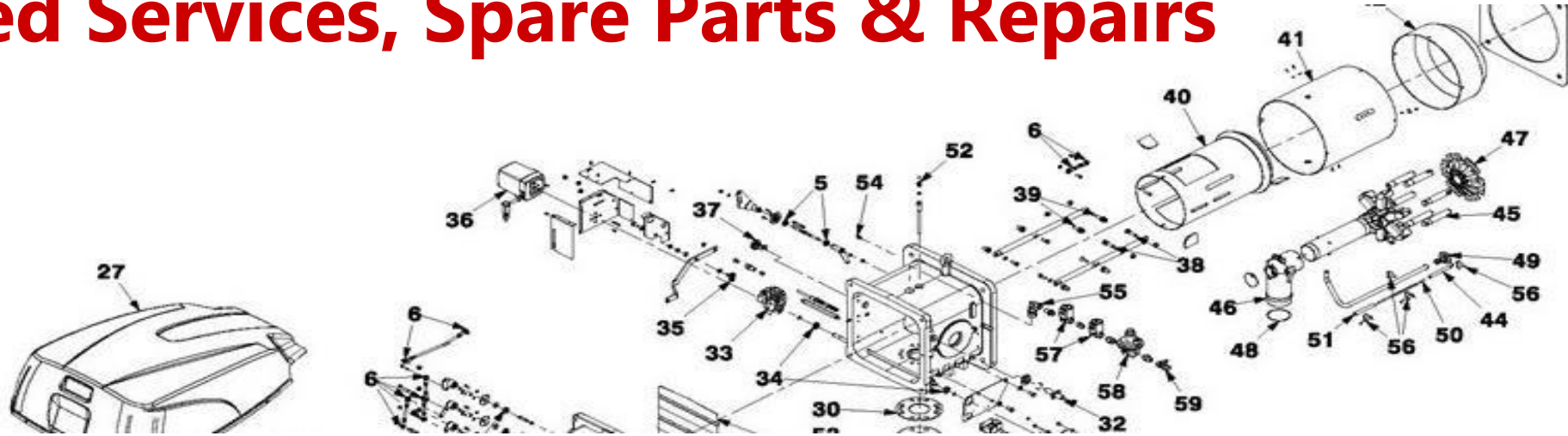
- Cipriani stainless steel Plate Heat Exchanges
- Diverse range of Oil or Gas Fired Air Heaters manufactured by Tecnoclima – for greenhouse heating, factory heating, drying applications, poultry farm heating

## SPARE PARTS

We are stockists of:

- HP Technik Pumps
- Giuliani Anello Filters
- Bergonzo Nozzles
- Bacharach Emissions testing
- Suntec pumps
- Elbi tanks & cylinders
- Autoflame components

# Specialised Services, Spare Parts & Repairs



WE OFFER VARIOUS MAINTENANCE PLAN OPTIONS, STANDARD SLA'S AND FIXED MAINTENANCE CONTRACTS

## SERVICE & REPAIR

Our carefully selected staff regularly attend training courses throughout the year, not only to upskill on the Company's primary products, but also to make themselves conversant in gas and electrical courses to enable the Company to issue COC's on all work performed. We not only work on Riello and Limpsfield Burners, but offer servicing, upgrades and repairs on all makes and types of burners, including rotary cup burners. Our team is competent on both steam and hot water boilers.

Our Experience and Success go back over 32 Years!

We have access to the technical expertise of International Companies around the world!

# Specialised Services



REDUCE FUEL CONSUMPTION & EMISSIONS BY 8 - 12% WITH A **MONEY BACK GUARANTEE**

## FUEL EFFICIENCY AUDITS

Combustion Technology is committed to providing energy efficient solutions to all our customers. We respect our environment and devote our efforts in reduction of NO<sub>x</sub>, CO and CO<sub>2</sub> emissions in order to safeguard our environment and comply with National and International regulations. We offer on-site Fuel Efficiency Audits to determine how well your plant is running.

A detailed report is drawn up to include recommendations for potential Energy Savings, from modern low NO<sub>x</sub> burners to Automated Combustion Management Systems.

Our references confirm we can save you 8 – 12% off your Fuel Costs.



# Specialised Services

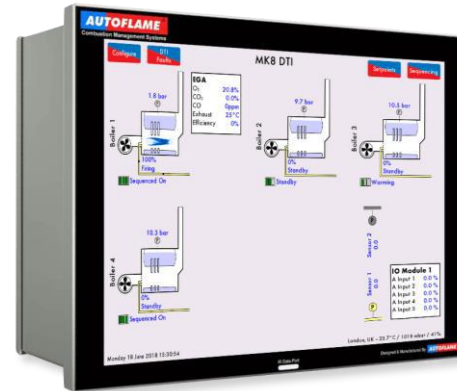


## INNOVATION, AUTOMATION & CONTROL

### BOILER MANAGEMENT

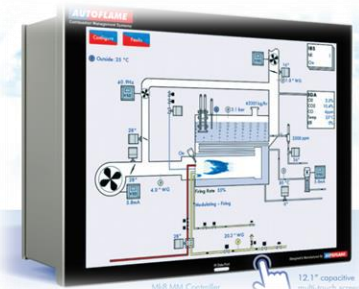
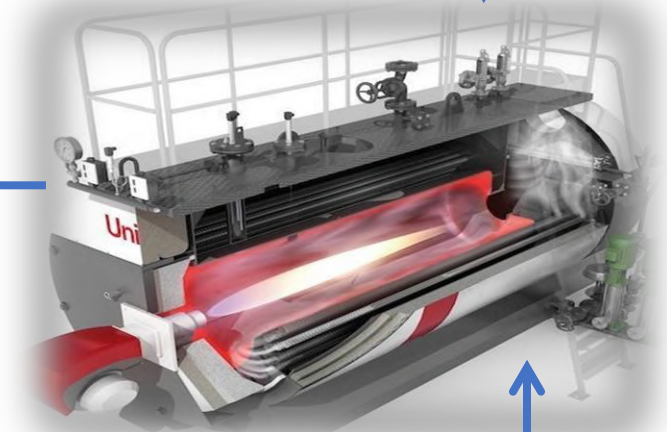
By installing an Autoflame Management System, we are able to log onto any site equipped with the technology and monitor a boiler running in real time. Up to 10 boilers can be connected per site.

Features such as: All burner functions, fuel consumption vs steam generation, steam flow metering, fuel pressure sensor, water level control, ideal emissions ( $O_2$ ,  $CO_2$ ,  $CO$ ) and many more are enabled and managed 24/7.



### Reporting

- Diagnostics of Maintenance & performance issues on all boilers
- Monitoring fuel usage
- Emissions monitoring
- Expert opinion available 24/7
- Monthly Performance Report
- Data History stored for 2 years
- Alarms and lockout settings





# Specialised Services

## CUSTOMIZED & FLEXIBLE BOILER RENTAL SOLUTIONS

If you are looking for new ways to manage your boiler house costs, it is time to leave it up to us.

Combustion Technology offer flexible and targeted solutions that are adaptable to emergency and unexpected situations. This Customer Focus is what sets us apart from our Competitors. With our Boiler Rental solutions to Companies dealing with long maintenance operations or seasonal production peaks. We offer our customers the options to outsource their steam production for short- or long term periods on the Customer's site. Operation and maintenance are done by our qualified team.

- Trailer-mounted up to 5 tons per hour
- Containerized up to 2,5 tons per hour

### Why rent a Boiler?

- **Speed & Supply**  
No investment required, make rapid & non-binding decisions
- **Transparency**  
No nasty surprises, costs are certain, enable clear planning
- **Prompt delivery**  
Our boiler is available upon booking and ready for installation
- **Guarantee**  
Our boiler is certified and comply with regulations about energy efficiency, emissions, fuel consumption & safety

# Boiler School, Tips & Training



REALISE THE VALUE OF YOUR BOILER SYSTEM, MAINTAIN IT PROPERTLY & SAVE FUTURE COSTS

## TRAINING COURSES

We offer on-site and off-site training for your employees in our Modern Mobile Boiler room. Basic trouble shooting and problem solving is covered to empower them to better understand a boiler's operation.

We use industry best practices, available guidance documents and applicable standards and facilitation to help our customers with their unique circumstances and operation characteristics.

Certificates are issued upon completion of courses.



*Safety Isn't Negotiable*

# COMBUSTION TECHNOLOGY

**Combustion Technology (Pty) Ltd**

Unit 28E, 60 White Road, Retreat, Western Cape | PO Box 30047, Tokai, 7966

t. +27 21 715 3171 | email: [combustiontechnology.co.za](mailto:combustiontechnology.co.za) | [combustiontechnology.co.za](http://combustiontechnology.co.za)